

The SE-900 is a two-piece eight input SD switcher designed for flexibility and ease-of-use.

The SE-900 accepts any combination of up to eight input boards for DV, SDI, DVI, YUV, S-Video and composite video. It can also store 2 logos for output display, and has a CG(Character Generation) overlay channel. A user can apply CG software (like the Datavideo CG-100) as a DSK and still retain access to the multiple outputs of the SE-900 switcher.

The rack mounted processing unit of the SE-900 is connected to the control panel by an RS-232 cable. Datavideo has prepared several SE-900 "kits" with various input cards included, but you may choose any configuration that you prefer for the eight slots available.

Card options include external synch and a chromakey card that allows cuts between two cameras and two backgrounds.



Features

- Built in frame synchronizer and TBC for each channel, no external gen-lock is required for flicker free switching between all 8 inputs – in any format
- Voice sync - audio delayed to minus 17 frames
- Picture-in-Picture (two fixed sizes, able to move from off-screen to off-screen)
- Joystick control can work with either RGB color correction (white balance), position control for the PIP or Mosaic effect
- Multi-image preview panel allows the producer to monitor all live sources as well as Program & Next source
- SDI overlay card pre-installed – use with any SDI-based character generator with a downstream keyer (DSK) (Upgrade card)
- Easy titling with an optional CG-100 Character Generator
- Digital effects – Over 50 digital effects (including 15 transitions with borders) with six speeds, plus 6 special effects
- Logo overlay included – use 24-bit RGB 96x24 bitmap image or input source
- Eight tally outputs, red/yellow LED tally lights included
- Audio may be embedded in the SDI stream
- GPI input trigger controls up to 10 pre-programmed effects in sequence
- Optional chromakey card - can accept four foreground inputs, four background inputs and four chromakey settings. Internal chromakey switcher allows for glitch-free switching between the four sources and backgrounds. Background and foreground selection is through the inputs to the switcher
- Separate control panel and 19" rack-mountable main unit

- Each input card offers a composite video preview output, irrespective of the input type
- Includes an audio delay function as well as a DV/SDI audio embedder for output. Additionally, each DV and SDI video input has an audio de-embedder which provides dual channel balanced audio output

Specifications

Video

- Inputs: up to 8 inputs with a choice of SDI, DV, DVI, component (Y:U:V), S-Video (Y/C) & composite
- Outputs: SDI, DV, YUV, S-Video and/or composite Video. (2) multi-image preview outputs. (1) Normal is the next source preview. Pressing the "Preview" key shows the next effect. (2) Multi-image output - composite and component video.

Audio

- Inputs: stereo balanced XLR's and RCA with audio delay for perfect sync with DV or SDI video sources
- Outputs: stereo balanced XLR +/- 12Vp-p, 1 RCA stereo

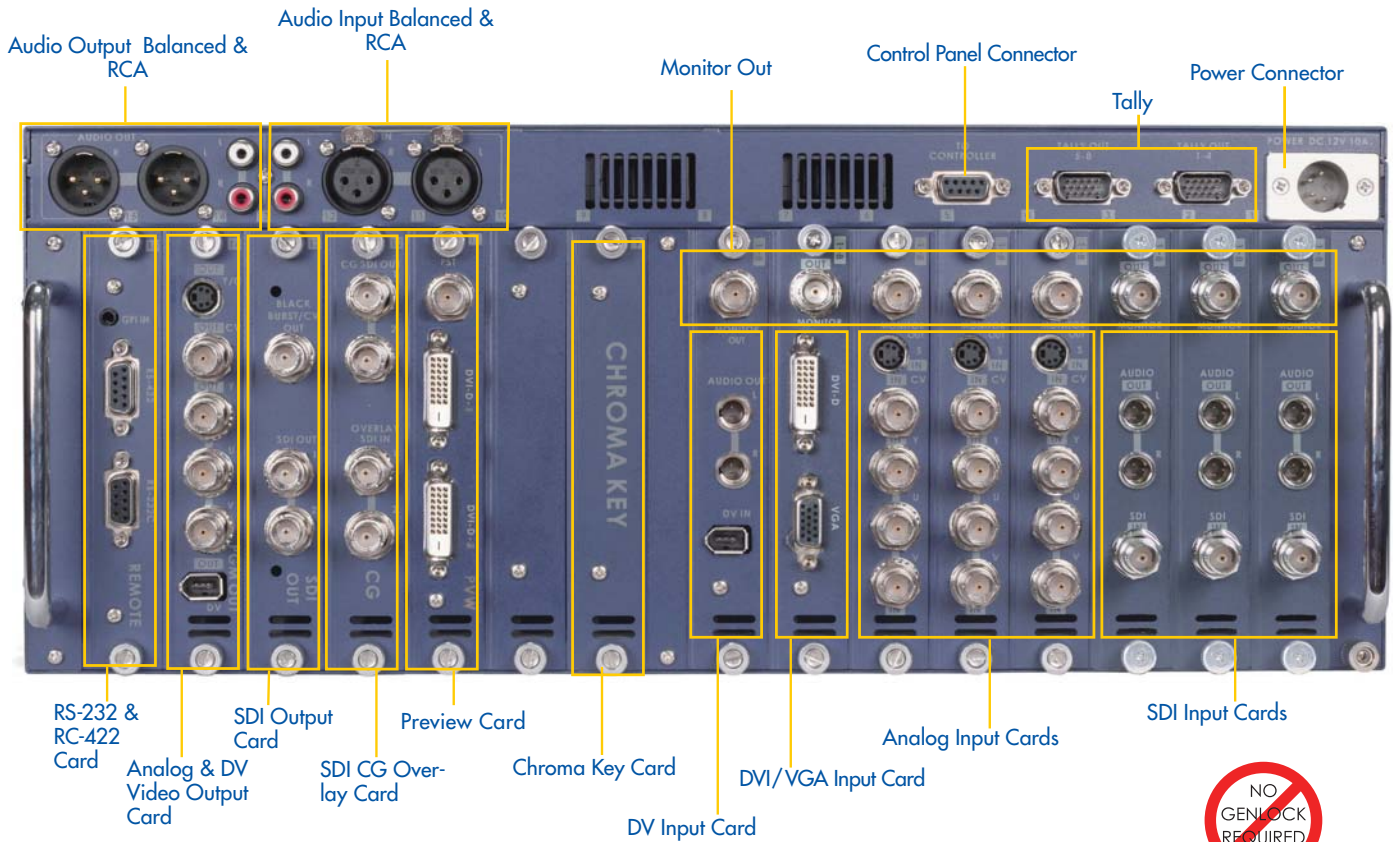
Control

- GPI and RS-232/RS-422 control interface

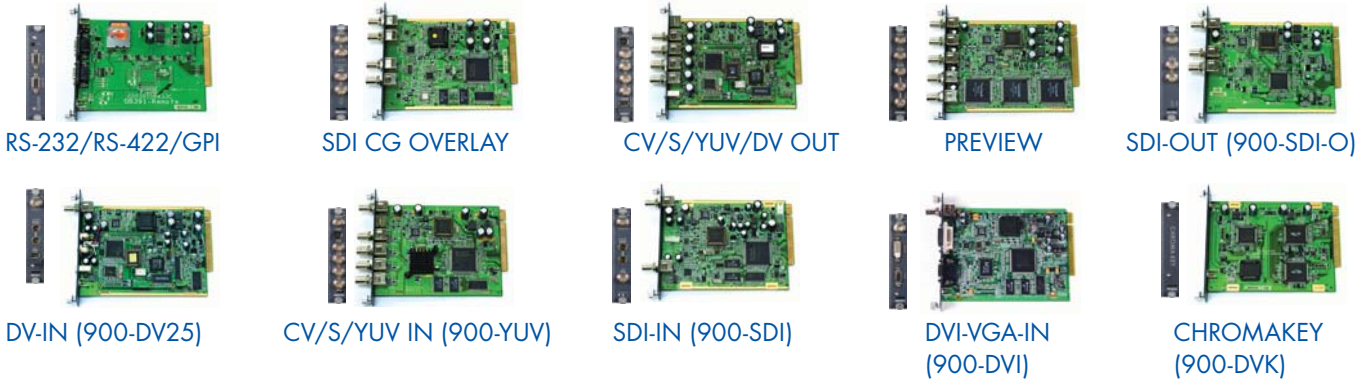
Power

- Main unit: 12V 10A power supply included
- Control panel: 12V 1.2A DC operation 110/220 powersupply and cord included

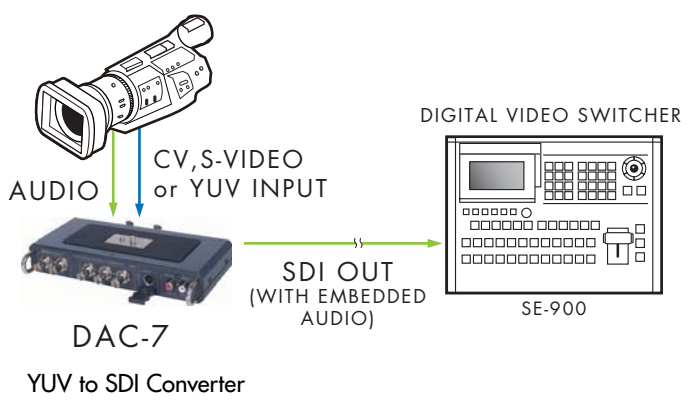
Rear View



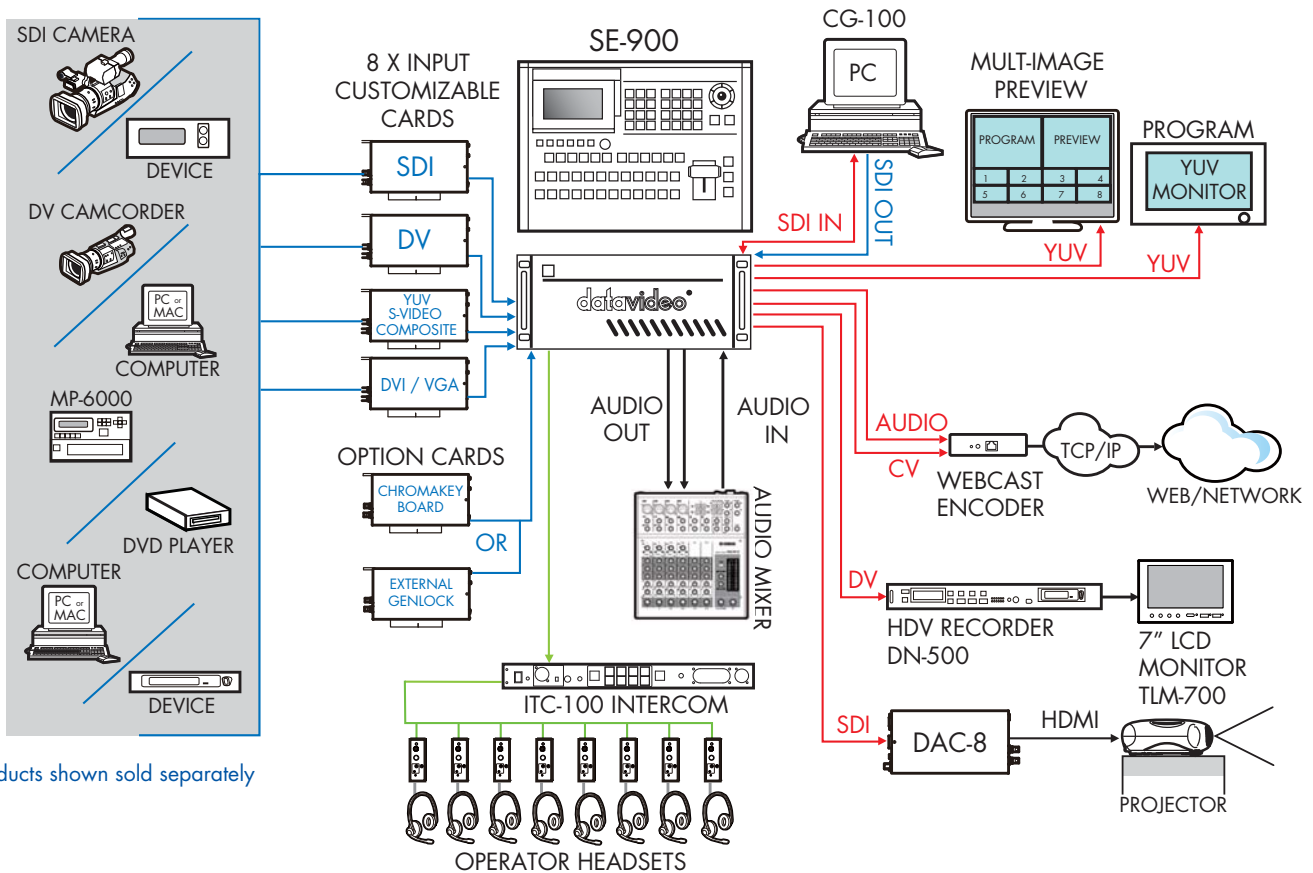
I/O Cards



Optional Converters



Example Setup Diagram



Products shown sold separately

Useful Accessories	<p>SE-900 DV KIT 6x DV Input Cards, 2x YUV, CV,S Input Card +8 Input SD Switcher & Analog Audio inputs on Motherboard . Keyboard, Multi Image Preview card, SDI CG Overlay card & CV,YUV,S, DV Video Out card. 1x Chromakey Card.</p>	<p>DAC7 / 7L A converter that swaps analog to SDI. DAC-7L is an individual unit without the tri-pod mount.</p>
	<p>SE-900 STD KIT 4x DV Input Cards, 4x YUV, CV,S Input Card+8 Input SD Switcher & Analog Audio inputs on Motherboard. Keyboard, Multi Image Preview card, SDI CG Overlay card & CV,YUV,S, DV Video Out card. 1x Chromakey Card.</p>	<p>TB-5 A tally box that comes with 4 indicators compatible with both the Datavideo SE-500 and SE-900.</p>
	<p>SE-900 SDI KIT 6x SDI in Cards,+8 Input SD Switcher & Analog Audio inputs on Motherboard . Keyboard, Multi Image Preview card, SDI CG Overlay card & CV,YUV,S, DV Video Out card. 1x Chromakey Card, 1x SDI out Card</p>	<p>HDR-40 / 50 Hard drive video recorder comes equipped with a 250GB removable hard disk drive and enclosure. The HDR-50 is a rack mount unit.</p>
	<p>SE-900 YUV KIT 8x YUV, CV, S Input Cards, +8 Input SD Switcher & interface & Analog Audio inputs on Motherboard . Keyboard, Multi Image Preview card, SDI CG Overlay card & CV,YUV,S, DV Video Out card. 1x Chromakey Card.</p>	<p>TLM-404H 4 units of 4" TFT LCD composite monitor on a 19" rack mount; that is made from steel and aluminum.</p>
	<p>SE-900 BROADCASTER TLM-170M, 2x TB-5, NVS-10, DN-400 or DN-500, 1x Chromakey Card. Pick from 6x YUV, CV, S Input Card and 6x DV Input Cards.</p>	<p>TLM-170 A 17" monitor that comes with a 1440x900 high resolution, 16:9 aspect ratio, and built-in speakers with SDI inputs.</p>
	<p>ITC-100KF900 An intercom that accommodates up to 8 remote users. This set includes: case station, 20M (65ft) cables, headsets, belt packs and tally lights for 4 users.</p>	<p>VP-314 This is an inline DV repeater that comes with 6-pin outputs.</p>
	<p>DN-400 / DN-500 This is a DV/HDV hard drive disk recorder that comes with a removable 250GB hard drive disk and two hard drive enclosures. The DN-500 is a rack mount unit.</p>	<p>CA-SDI 50 / 100 / 150 A male to male BNC cable for 50 foot, 100 foot or 150 foot correspondingly to the model number.</p>